

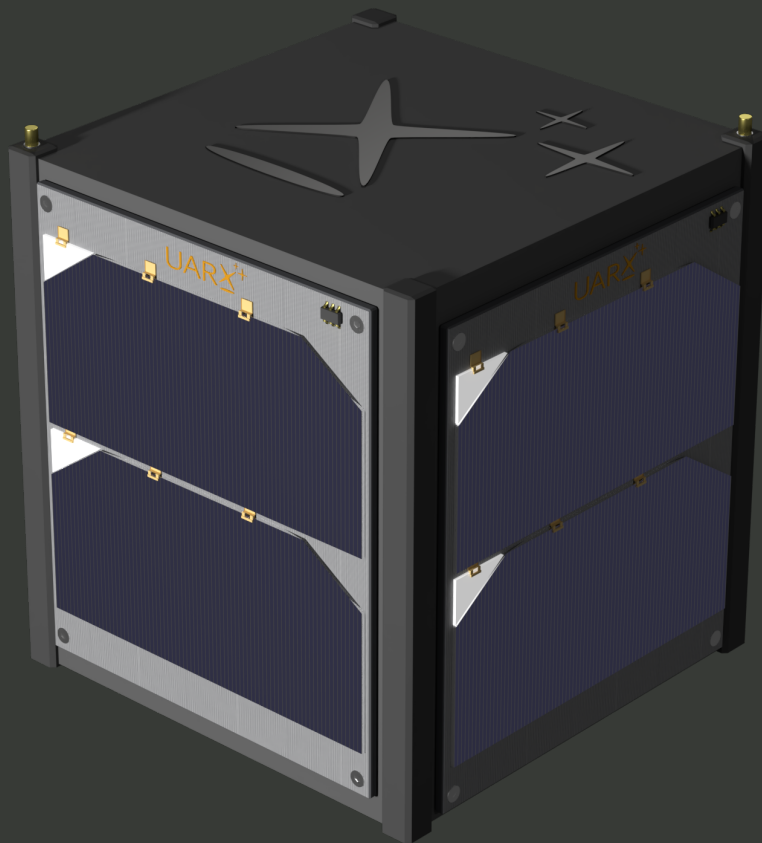


www.uarx.com

UARX-Q-CRE-0039-A
Rev. 0

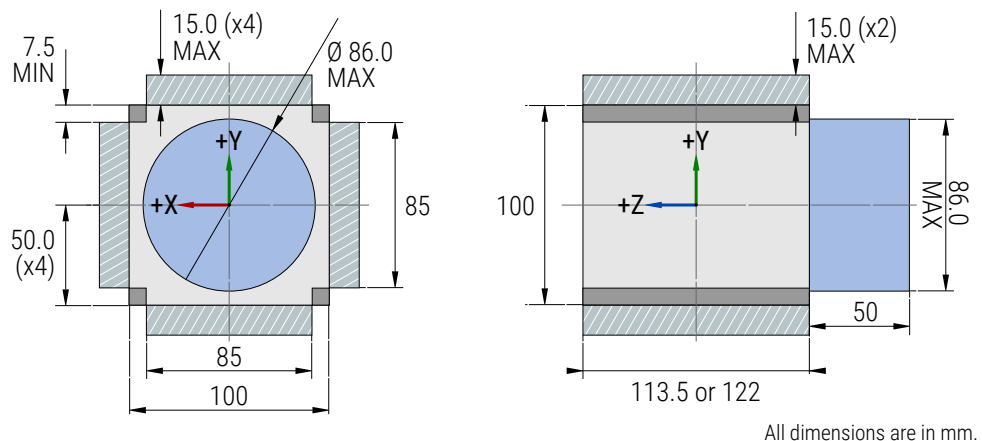
May 21, 2021

UARX Space Transportation Services



Allocation Quick Specs - 1U CubeSat

Your ride in Space.



All dimensions are in mm.



RAMI deployers accept two lengths of CubeSats, the standard with 340.5mm, and the XL with 366mm. Customers can take advantage of the extra-room RAMI provides, including the 15mm of protrusions allowance in the dynamic envelope.

Technical Specification	1U	1U-XL
Maximum payload mass [kg]	2.0	2.0
Number of Tuna Can available	1*	1*
Surface roughness [μm]	<1.0	<1.0
Maximum center of gravity deviation ¹ in X [mm]	± 20.0	± 20.0
Maximum center of gravity deviation ¹ in Y [mm]	± 20.0	± 20.0
Maximum center of gravity deviation ¹ in Z [mm]	± 20.0	± 20.0

¹Deviation is measured from the geometric center of the 1U spacecraft

*When mounted on the push plate of the deployer. Only available for one spacecraft in the stack.

CubeSats using a 1U form factor may be combined with other spacecraft in the deployer to occupy the assigned bay. The configuration ultimately depends on the manifest and final flight configuration, being possible to combine them with other 0.25U, 0.5U, 1U, 1.5U, or 2U CubeSats.