



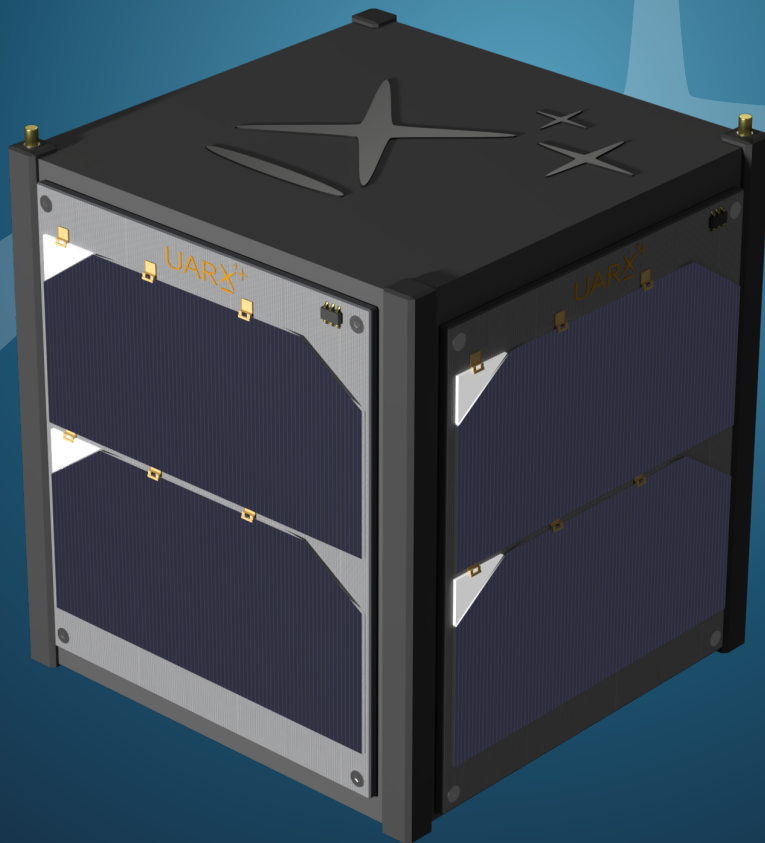
www.uarx.com

UARX-Q-CRE-0039-B

Rev. 0

February 3, 2025

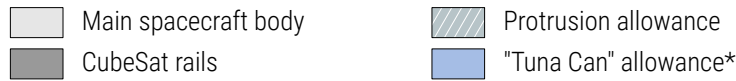
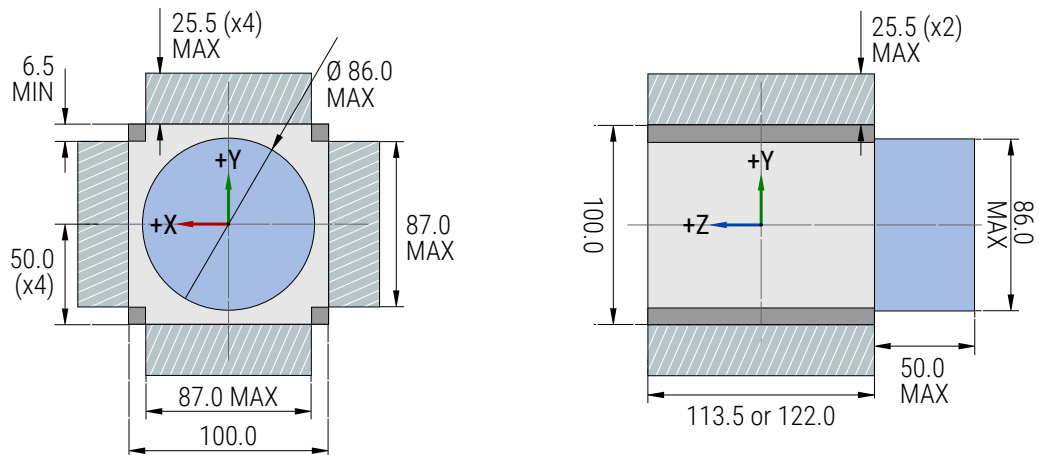
UARX Space's Launch & Transportation Services



Allocation Quick Specs - 1U CubeSat

Your ride in Space.

Copyright © 2025 UARX Space. All rights reserved.



All dimensions are in mm.
 Tolerance ± 0.1 mm.

RAMI deployers accept two lengths of 1U CubeSats, the standard with 113.5mm, and the XL with 122mm. Customers can take advantage of the extra-room RAMI provides, including the 15mm of protrusions allowance in the dynamic envelope.

Technical Specification	1U	1U-XL
Maximum payload mass [kg]	2.5	2.5
Number of Tuna Can available	1*	1*
Surface roughness [μm]	<1.0	<1.0
Maximum center of gravity deviation ¹ in X [mm]	± 20.0	± 20.0
Maximum center of gravity deviation ¹ in Y [mm]	± 20.0	± 20.0
Maximum center of gravity deviation ¹ in Z [mm]	± 20.0	± 20.0

¹Deviation is measured from the geometric center of the 1U spacecraft

*When mounted on the push plate of the deployer. Only available for one spacecraft in the stack.

CubeSats using a 1U form factor may be combined with other spacecraft in the deployer to occupy the assigned bay. The configuration ultimately depends on the manifest and final flight configuration, being possible to combine them with other 0.25U, 0.5U, 1U, 1.5U, or 2U CubeSats.