



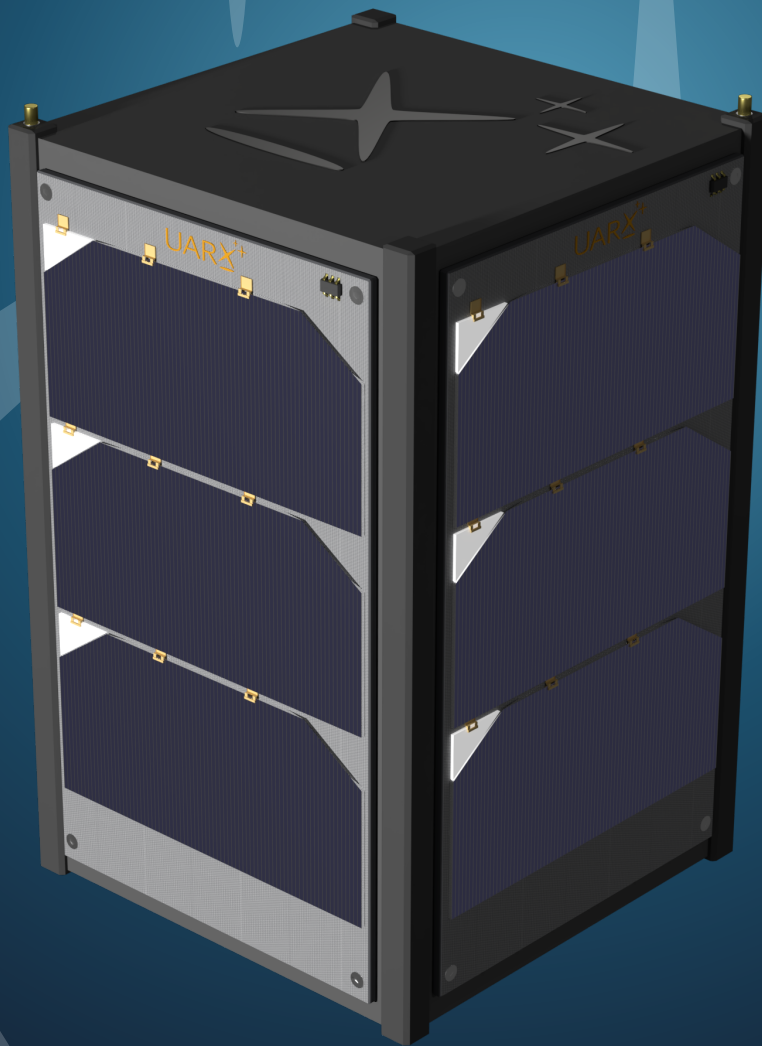
www.uarx.com

**UARX-Q-CRE-0040-B**

Rev. 0

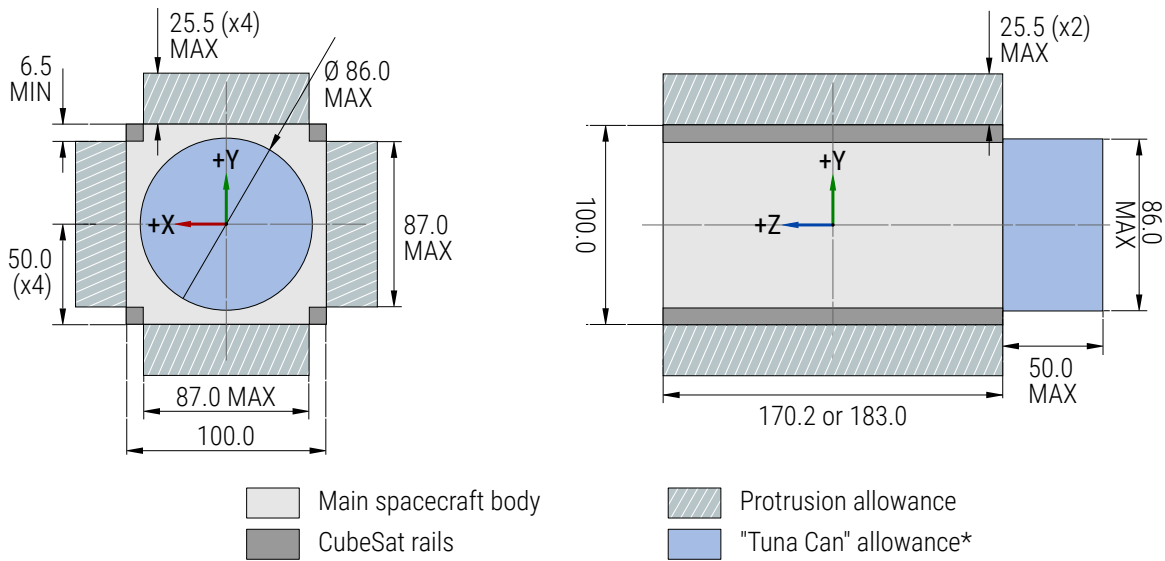
February 3, 2025

# UARX Space's Launch & Transportation Services



Allocation Quick Specs - 1.5U CubeSat

**Your ride in Space.**



All dimensions are in mm.  
 Tolerance  $\pm 0.1$  mm.

RAMI deployers accept two lengths of 1.5 CubeSats, the standard with 170.2mm, and the XL with 183mm. Customers can take advantage of the extra-room RAMI provides, including 25.5mm of protrusions allowance in the dynamic envelope.

Technical Specification	1.5U	1.5U-XL
Maximum payload mass [kg]	3.5	3.5
Number of Tuna Can available	1*	1*
Surface roughness [ $\mu\text{m}$ ]	<1.0	<1.0
Maximum center of gravity deviation <sup>1</sup> in X [mm]	$\pm 20.0$	$\pm 20.0$
Maximum center of gravity deviation <sup>1</sup> in Y [mm]	$\pm 20.0$	$\pm 20.0$
Maximum center of gravity deviation <sup>1</sup> in Z [mm]	$\pm 30.0$	$\pm 30.0$

<sup>1</sup>Deviation is measured from the geometric center of the 1.5U spacecraft

\*When mounted on the push plate of the deployer. Only available for one spacecraft in the stack.

CubeSats using a 1.5U form factor may be combined with other spacecraft in the deployer to occupy the assigned bay. The configuration ultimately depends on the manifest and final flight configuration, being possible to combine them with other 0.25U, 0.5U, 1U, or 1.5U CubeSats. UARX Space recommends a configuration with enough spacecraft that ensure instant accommodation on a dedicated bay, so the customer will prevent having delays on the assigned spot to fly.